

Polymer flange

for retrofit dowelling

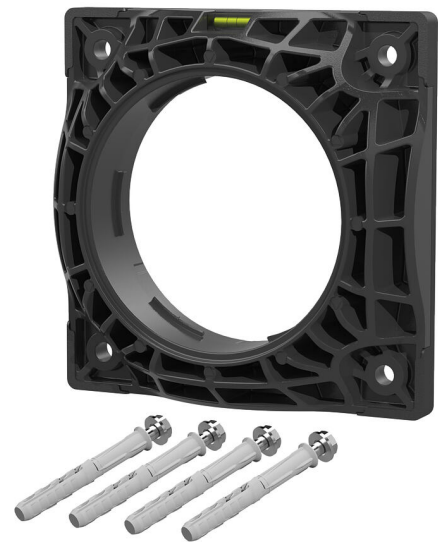
HSI150 DFK

Article no.: 2118010020, GTIN: 4052487156264



- **With integrated spirit level**
- **Tried and tested solution for use in fresh concrete composite systems**

For retrofit dowelling via core drill holes or for screwing onto housings. Used for the gastight and watertight connection of system seals for cables and cable ducts.



Picture may differ from selected product

FACTS

Advantages:

- System seal can be connected (e.g. cable duct connection or cable seal)
- Can be installed on container walls
- Form-closed surface seal

Scope of delivery:

- Attachment elements including sealing ring
- 1 piece surface seal, 6 mm thick

Dimensions:

- Length x width: 235 x 235 mm
- Recommended centre distance for core drills: 250 mm
- Core drills max. Ø: 150 mm
- Structure in front of wall including surface seal: 63 mm

Application range:

- DIN 18533 W1-E, DIN 18533 W2.1-E
- Waterproof concrete stress class 1, waterproof concrete stress class 2

Material:

- Flange: glass fibre reinforced polyamide
- Surface seal: EPDM
- Fastenings: stainless steel V4A (AISI 316L)

Tightness:

- gastight and watertight to 2.5 bar

PICTURES



ACCESSORIES REQUIRED



EGO sealant